

# Network Access SEISMIC MONITOR VIP-18 / VIP-19

**TOKYO SOKUSHIN CO., LTD.**

3-14-34, OUGI, ADACHI-KU.TOKYO.  
TEL 81-3-3855-5911 FAX 81-3-3855-5921  
URL <http://www.to-soku.co.jp>

## Display & Announcement

- Seismic-intensity
- Peak-acceleration
- Peak-velocity
- Spectrum-intensity
- Trigger time
- Predominant period
- Period at peak acceleration

## Time History Data

3 or 6CH 24Bit Data save (VIP-18)  
9~36CH, 24bit Data save (VIP-19)  
in CF card

## Seismic

4-Level alarm

## Multiple Network Access

LAN (10/100 Base-TX)  
2 serial Ports (9600~115.2kbps)

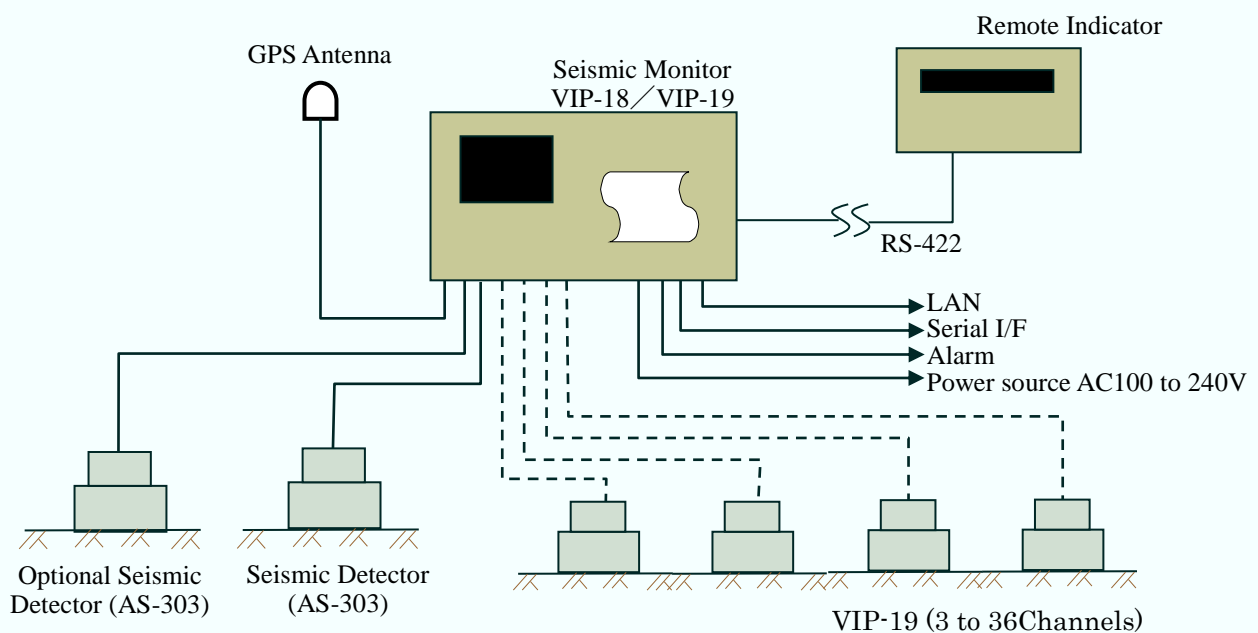


Seismic Monitor (3 to 36CH)  
(VIP-19)



Seismic Monitor...3 or 6CH  
(VIP-18)

## System Configuration



## Specification

Seismic Monitor		VIP-18	VIP-19
Input	Channels	3ch, 6ch (option)	3ch (possible to add up to 36ch per 3ch)
	Range	$\pm 3000\text{Gal}$ ( $\pm 10\text{V}$ )	
	AD Converter	$\Sigma\text{-}\Delta$ 24bit	
	Sample rates	100Hz	
	Filter	Butterworth type -36dB/oct, Cutoff frequency: 30Hz (-3dB)	
	Arrester	Built-in	
Trigger (Event)	Level	0.1 to 900Gal	
	Algorithms	OR or AND (in any 4ch.)	
Timing	Accuracy	$\pm 3\mu\text{sec}$ .	
	Synchronization	GPS, NTP server	
Seismic Information		Event-time, Seismic-intensity, Peak-acceleration & Velocity, Pre-dominant period, Period at max. acceleration ch4 ~ ch6, Peak-acceleration	
	Option	Maximum value of all the channel (in case of adding more than 4ch)	
Event Recorder	Medium	CF card x 2pcs, Max. 32GB CF1: Trigger record CF2: Continuous record	
	Duration time	For a maximum of 10 minutes to record an earthquake (1 minute variable length record), default 3 minutes	
	Pre-event	5 to 30sec.	
	Contents	Measured value, Recording conditions, Waveform data (based on WIN32)	
Display	Display type	5.7 inch Color LCD touch panel	
	Display contents	Time, Event-time, Seismic-intensity, Peak-acc. (synch.)	
Printer	Print type	32 digit thermal dot	
	Print contents	Event-time, Seismic-intensity, Peak-acc. (synch.)	
Interface	LAN	10/100 Base-TX x1port	
	Serial	RS-232C (9600 to 115.2kbps) x 1port	
	RS-422	External indicator (option) dedicated port (1200bps), 1 port	
Alarm (Seismic Switch)	Contact	Non-voltage/a-contact, 4 alarm level	
	Threshold	Seismic-intensity or Peak-acceleration	
	Buzzer	Synchronized with alarm	
Operation Check		Sensor calibration, Power source voltage	
Power requirement	Operating power	AC100V to 240V ( $\pm 10\%$ ), 50 to 60Hz	
	Back-up	1 hour by internal battery (depends on number of ch. and sensors)	
Dimension		350 (W) x 230 (H) x 160 (D) mm (Not including the projection)	429 (W) x 300 (D) x 198 (H) mm (Corresponding to JIS rack, )
Weight		Approx. 5kg	Approx. 10kg
<b>Seismic Detector(Optional)</b>			
Model		Servo Accelerometer, AS-303 type (stand.)	
Component		Tri-axial	
Range		$\pm 3000\text{Gal}$ , DC to 100Hz (-3dB)	
Resolution		5mGal	
Power requirement		$\pm 15\text{VDC}$ (Supply from Seismic Monitor)	
Water-proof		IP65	
Temperature		$-10^{\circ}\text{C}$ to $+60^{\circ}\text{C}$	
Arrester		Built-in	

This system is designed to keep the rules of JMA and FDMA notification.  
The specification may change without notification because of the proved product.